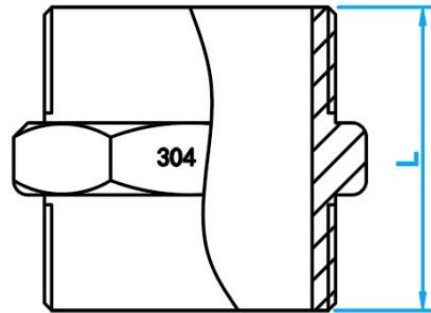


STAINLESS STEEL 304 THREADED FITTINGS

EQUAL NIPPLE

COMPLY WITH BSEN1254-2:1998
AS/NZS 4020:2018



CROSS SECTIONAL VIEW

DIMENSIONS

SKU	SIZE (inch)	L (mm)	WEIGHT (kg)	PCS/CTN
SS304EN015	½"BSPT	38.0	0.045	500
SS304EN020	¾"BSPT	38.0	0.065	300
SS304EN025	1"BSPT	44.0	0.100	200
SS304EN035	1¼"BSPT	50.0	0.155	100
SS304EN042	1½"BSPT	54.0	0.180	100
SS304EN050	2"BSPT	58.0	0.285	50
SS304EN065	2½"BSPT	62.0	0.530	30
SS304EN080	3"BSPT	66.0	0.600	22
SS304EN100	4"BSPT	74.0	0.955	12